

Burns and Ferrall Locations

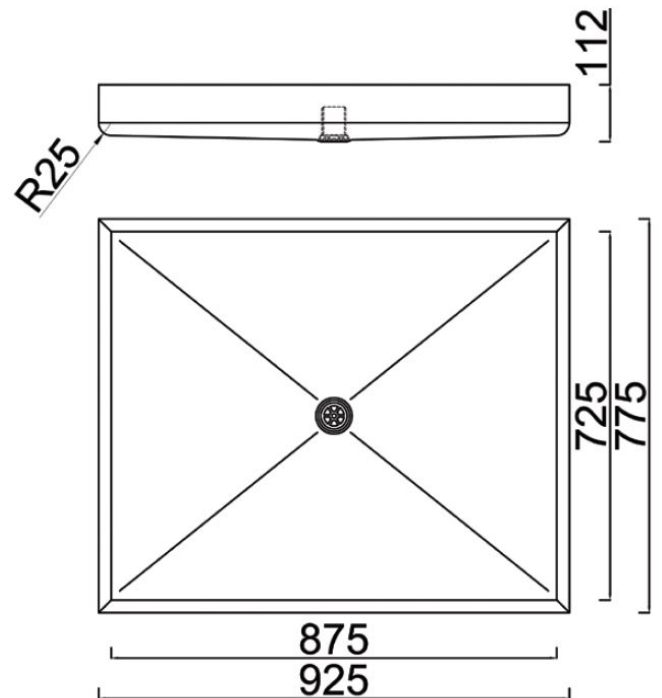
AUCKLAND
12 Reg Savory Place
East Tamaki, Auckland

0800 697 465

WELLINGTON
122-124 Tory Street
Te Aro

HAMILTON
60 Alexandra Street
Central

CHRISTCHURCH
345 St Asaph Street
Christchurch

Product Specification Sheet
SF3**FABRICATED SHOWER TRAY**
FEATURES

- Material thickness 1.0mm
- 40mm waste outlet, shower waste included
- Complete with polystyrene base

OPTIONAL EXTRAS

- Welded in esi clean waste
- Marine ply base
- Threshold step
- 90mm waste hole

DIMENSIONS

925 x 775 x 112mm

CODE: SF3

E&OE – it is recommended all measurements are taken directly from the product. Specification subject to change without notice, always consult the literature supplied with the product. Coloured images are indicative only.